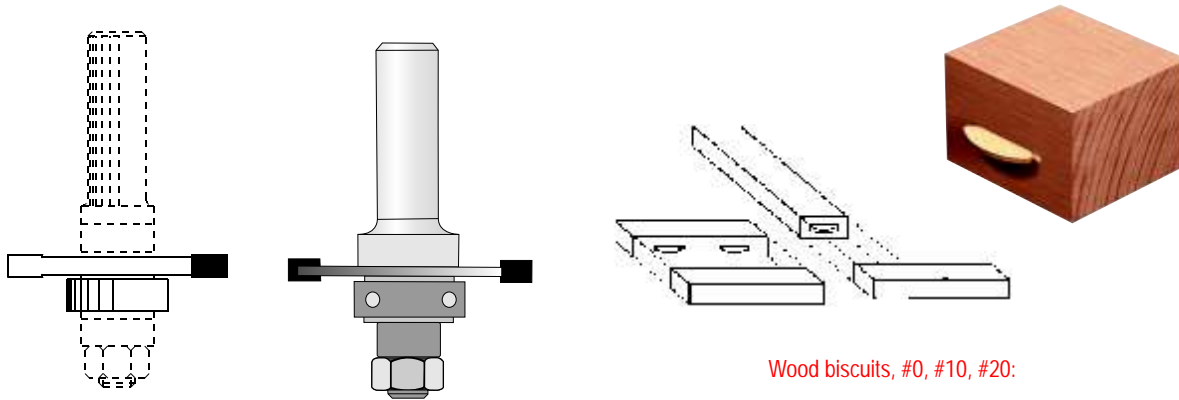


## DIMAR's Biscuit Joiner Set Tool No. WBJ



Wood biscuits, #0, #10, #20:

- Please adhere to all safety guidelines from the Router Machine manufacturer.
- Always disconnect machine from the power source before mounting tools.
- Use protective eyeglasses.

**Assemble all components on the arbor of your choice (108R-12 - 1/2" shank or 108R-4 - 1/4" shank) as follows:**

1. Remove nut and shims from arbor.
2. Mount W84 - 3 wing Carbide Tipped Cutter on the Arbor making sure the rotation is proper to the rotation of the router machine.
3. Mount 1 shim after Cutter.
4. Mount 1 Ball Bearing (choose the bearing for the required biscuit size., e.g. BB-22 for #20, BB-28M for #10, BB-31 for #0)
5. Mount 1 shim after the Ball Bearing.
6. Lock entire assembly with the Nut.

- Use scrap clean and dry wood for tests.
- Best results achieved while Router is clamped in the Router Machine and mounted on a Router Table.
- Adjust height so that Cutter will groove into the center of the wood.
- Turn Router on and move wood into Cutter until it stops by the Ball Bearing.
- Slide the wood slightly to allow longer groove and pull wood out of Cutter.
- Produce same groove on opposite piece of wood.
- Wood is ready to accept Wood Biscuits.

Thank you for thinking DIMAR.