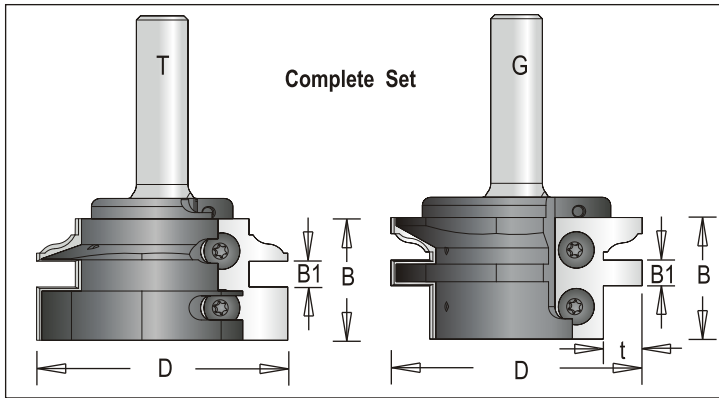


Tongue & Groove Router Bit Set , 2 Flutes



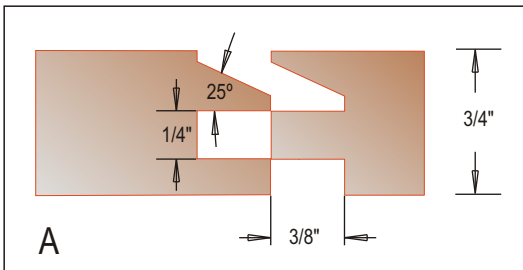
Disposable insert router set with two cutting flutes.
Suitable for light CNC and manual routing applications.

Recommended wood thickness from 5/8" (16mm) to 1 1/8" (28mm).

All four Tongue profiles can be used on the same router bit body.

All four Groove profiles can be used on the same router bit body.

Start with any complete tongue and groove set (2 pieces), and then simply purchase additional pairs of knives from the selection below.



Tool no.		D	Shank	B	B1	t	Length	Cat.
42R8-6A	Complete Set	2 3/8"	1/2"	30mm	1/4"	3/8"	3"	I
42R8-6AT	Tongue	2 3/8"	1/2"	30mm	1/4"	3/8"	3"	I
42R8-6AG	Groove	2 3/8"	1/2"	30mm	1/4"	3/8"	3"	I



T.C. Blade (T)
3145004
30x23x2



T.C. Blade (G)
3145014
30x23x2



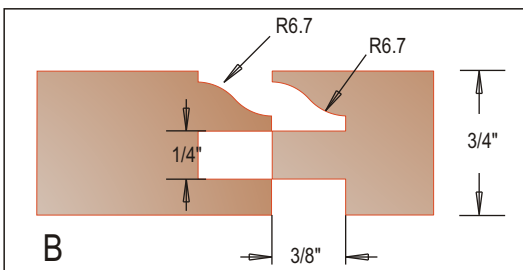
Torx screw
1933950
M4x6



Torx key
1941015
T- 15

***18000!**
MAX. RPM

Price per single knife.



Tool no.		D	Shank	B	B1	t	Length	Cat.
42R8-6B	Complete Set	2 3/8"	1/2"	30mm	1/4"	3/8"	3"	I
42R8-6BT	Tongue	2 3/8"	1/2"	30mm	1/4"	3/8"	3"	I
42R8-6BG	Groove	2 3/8"	1/2"	30mm	1/4"	3/8"	3"	I



T.C. Blade (T)
3145003
30x23x2



T.C. Blade (G)
3145013
30x23x2



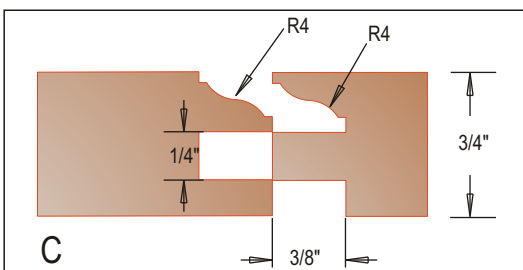
Torx screw
1933950
M4x6



Torx key
1941015
T- 15

***18000!**
MAX. RPM

Price per single knife.



Tool no.		D	Shank	B	B1	t	Length	Cat.
42R8-6C	Complete Set	2 3/8"	1/2"	30mm	1/4"	3/8"	3"	I
42R8-6CT	Tongue	2 3/8"	1/2"	30mm	1/4"	3/8"	3"	I
42R8-6CG	Groove	2 3/8"	1/2"	30mm	1/4"	3/8"	3"	I



T.C. Blade (T)
3145001
30x23x2



T.C. Blade (G)
3145011
30x23x2



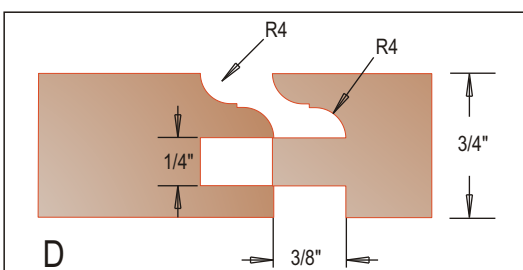
Torx screw
1933950
M4x6



Torx key
1941015
T- 15

***18000!**
MAX. RPM

Price per single knife.



Tool no.		D	Shank	B	B1	t	Length	Cat.
42R8-6D	Complete Set	2 3/8"	1/2"	30mm	1/4"	3/8"	3"	I
42R8-6DT	Tongue	2 3/8"	1/2"	30mm	1/4"	3/8"	3"	I
42R8-6DG	Groove	2 3/8"	1/2"	30mm	1/4"	3/8"	3"	I



T.C. Blade (T)
3145002
30x23x2



T.C. Blade (G)
3145012
30x23x2



Torx screw
1933950
M4x6



Torx key
1941015
T- 15

***18000!**
MAX. RPM

Price per single knife.