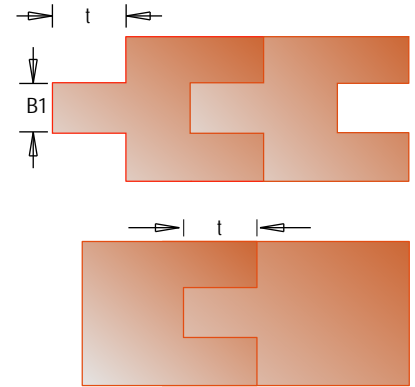
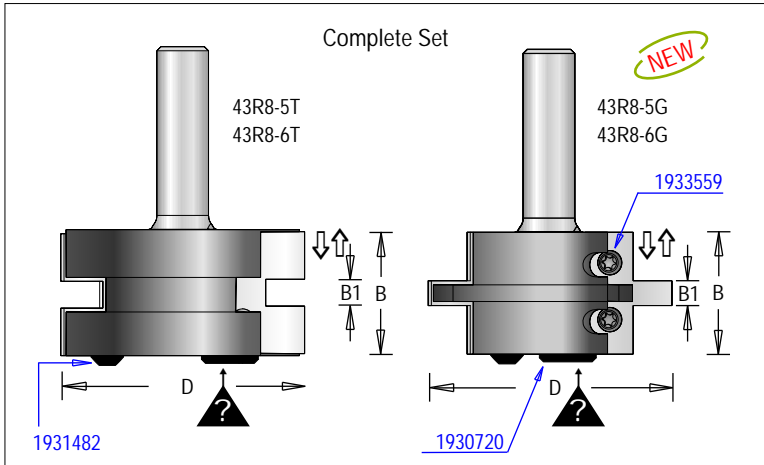


### Tongue & Groove Router Bit Set , 2 Flutes

Disposable insert router set with two cutting flutes. Suitable for light CNC and manual routing applications. Fine adjusting option for precise fitting between tongue & groove.

Tongue & Groove kerf (B1) may be adjusted to match various wood thicknesses. Recommended wood thickness from 16mm to 28mm

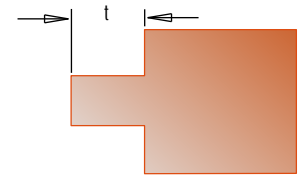
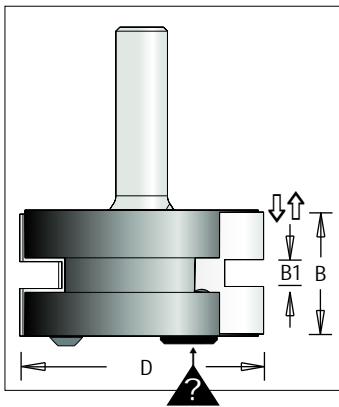
Adjustable set screw to stagger knife for the desired kerf (1930720)



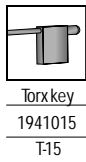
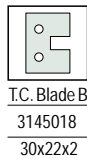
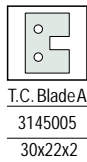
Tool no.	D	Shank	B	B1	t	Length	Cat.
43R8-5	2 3/8"	1/2"	30mm	5.4-6.0mm	3/8"	3"	I
43R8-6	2 3/8"	1/2"	30mm	6.1-6.6mm	3/8"	3"	I

Price per single knife.

### Tongue Router Bit 2 Flutes

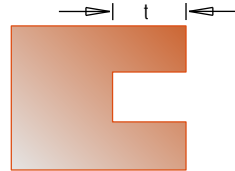
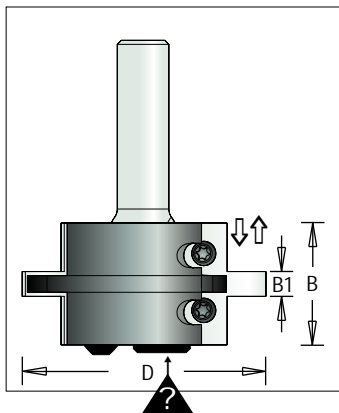


Tool no.	Blade	D	Shank	B	B1	t	Length	Cat.
43R8-5T	A	2 3/8"	1/2"	30mm	5.4-6.0mm	3/8"	3"	I
43R8-6T	B	2 3/8"	1/2"	30mm	6.1-6.6mm	3/8"	3"	I

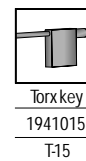
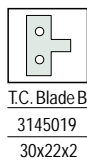
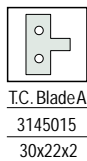


Price per single knife.

### Groove Router Bit, 2 Flutes



Tool no.	Blade	D	Shank	B	B1	t	Length	Cat.
43R8-5G	A	2 3/8"	1/2"	30mm	5.4-6.0mm	3/8"	3"	I
43R8-6G	B	2 3/8"	1/2"	30mm	6.1-6.6mm	3/8"	3"	I



Price per single knife.