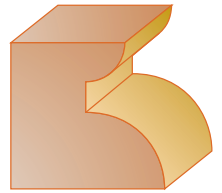
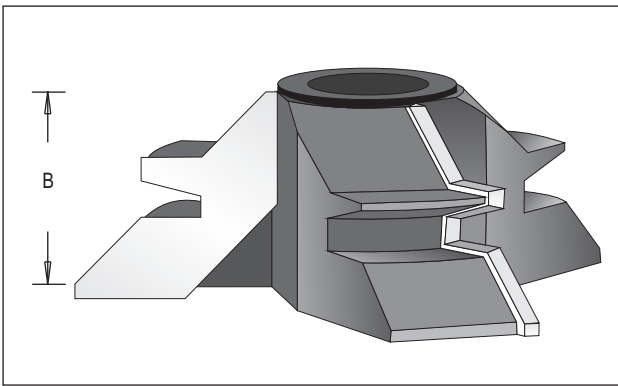


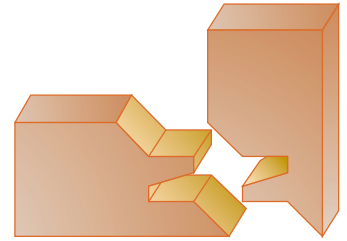
Corner Round Shaper Cutter,  
3 Wing, Carbide Tipped



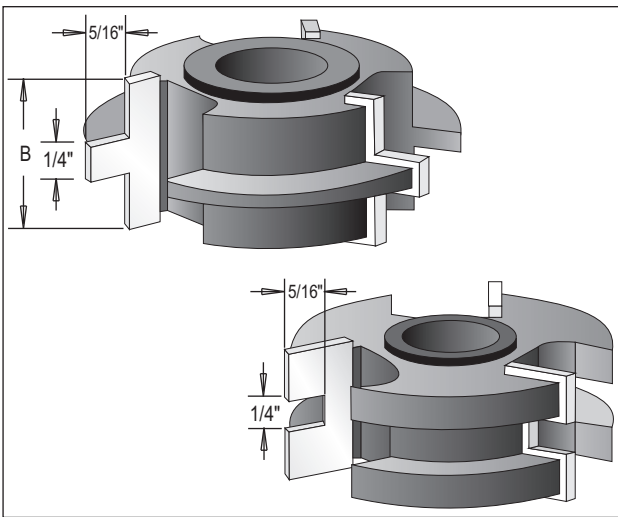
Tool no.	Diameter	B	Bore	Radius	Category
WPC109	2 5/8"	15/16"	3/4"	1/4", 1/2"	WP



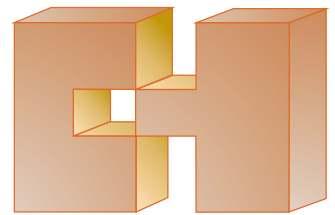
Miter Lock 45°, 3 Wing,  
Carbide Tipped



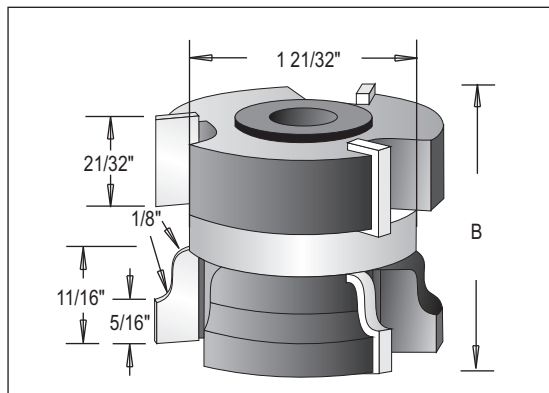
Tool no.	Diameter	B	Bore	Category
WPC149A	3 5/8"	1 1/4"	3/4"	WP
WPC149B	4 3/8"	1 1/4"	1 1/4"	WP



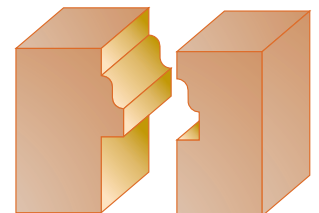
Tongue & Groove Cutter Set,  
2 piece, 3 Wing, Carbide Tipped



Tool no.	Diameter	B	Bore	Category
WPC143	2 5/8"	1"	3/4"	WP



Window Sash & Rail Cutter Set,  
3 Wing, Carbide Tipped



Tool no.	Diameter	B	Bore	Category
WPC175	2"	1 5/8"	3/4"	WP