



Raised Panel Router Cutter

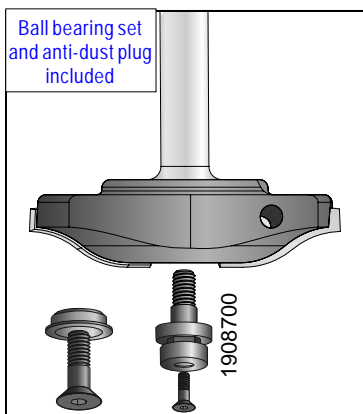
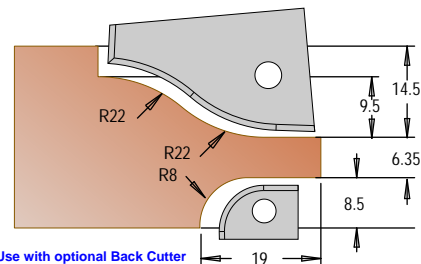
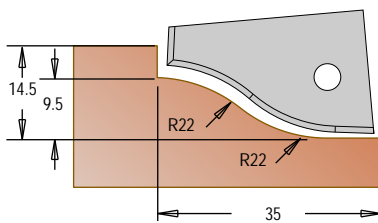
DIMAR is proud to introduce these innovative insert router bits. These new bits will give all woodworkers the ability to gain the significant advantage of using industrial grade Replaceable Insert Carbide Router Bits at prices comparable to standard carbide tipped brazed bits. These newly developed bits have much stronger and durable carbide then standard router bits and are guaranteed to outperform the competition! Dimar's Index series router bits will last 4 times longer than standard bits, while maintaining the cutting accuracy at all times.

Disposable insert router with two cutting flutes, suitable for light CNC and manual routing applications. Included an assembled ball bearing set and an anti-dust plug. Can also be used on a CNC machine with a back cutter.

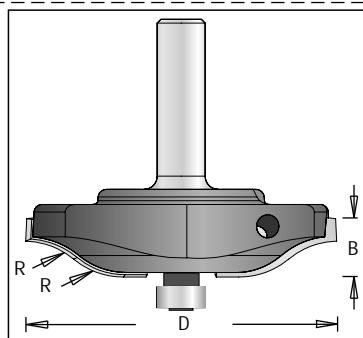
- Strict tolerances
- Never needs sharpening
- No downtime on the job
- Economical, cost less than to resharpen
- Indexable, always keeps the same diameter
- Easy to replace, Do-It-Yourself style
- Blade is fixed directly into tool body
- No wedges are used
- Bits supplied in a protective box with the needed Torx Key

NEW

Tool no.	D	Shank	B	Length	Cat.
26R884	3 3/8"	1/2"	3/4"	2 3/4"	I



Use this premium quality bit with the provided Anti-dust plug on a CNC machine or with a fence installed on your manual router table.

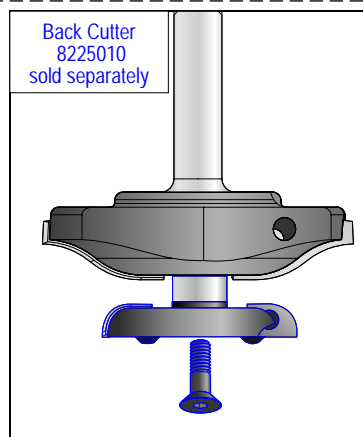


Use the assembled Ball Bearing Set (1908700) for perfect guidance when working with manual routing machine.

Included

T.C.Blade	Torx screw	Ball Bearing set	Torx key
3122005	1933950	1908700	1941015
32x20x1.5	M4x6	12.7x4.7x5xM6	T-15

Price per single knife.



Install the optional Back-Cutter assembly (8225010) to produce a tongue that fits perfectly in the Rail & Stile pieces of your choice, as well as a decorative edge for the face of the panel.

Optional

Back Cutter	T.C.Blade	Torxscrew	Torx key	Allen key
8225010	3122003	1934000	1941100	1940100
54x26.7x1/2"	13.9x9.5x2	M3x4	T-9	

Price per single knife.



Raised Panel Router Cutter

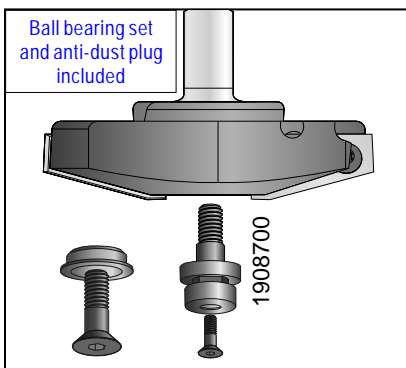
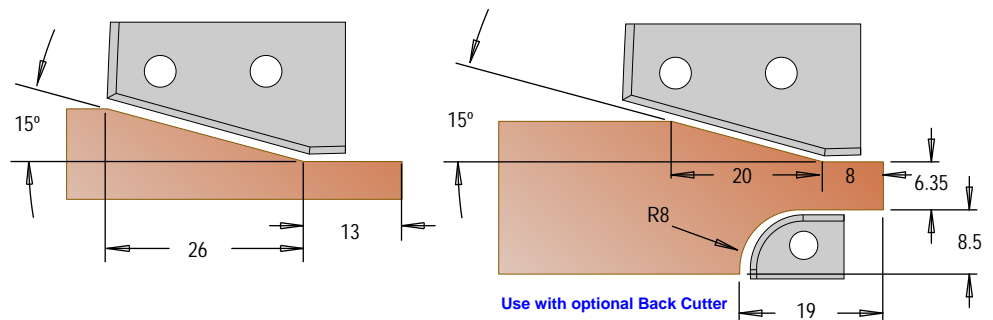
DIMAR is proud to introduce these innovative insert router bits. These new bits will give all woodworkers the ability to gain the significant advantage of using industrial grade Replaceable Insert Carbide Router Bits at prices comparable to standard carbide tipped brazed bits. These newly developed bits have much stronger and durable carbide then standard router bits and are guaranteed to outperform the competition! Dimar's Index series router bits will last 4 times longer than standard bits, while maintaining the cutting accuracy at all times.

Disposable insert router with two cutting flutes, suitable for light CNC and manual routing applications. Included an assembled ball bearing set and an anti-dust plug. Can also be used on a CNC machine with a back cutter.

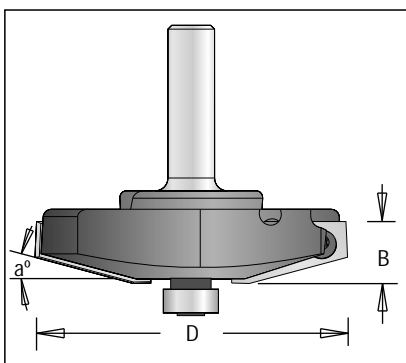
- Strict tolerances
- Never needs sharpening
- No downtime on the job
- Economical, cost less than to resharpen
- Indexable, always keeps the same diameter
- Easy to replace, Do-It-Yourself style
- Blade is fixed directly into tool body
- No wedges are used
- Bits supplied in a protective box with the needed Torx Key

NEW

Tool no.	D	Shank	B	a°	Length	Cat.
26R885	3 3/8"	1/2"	3/4"	15°	2 3/4"	I



Use this premium quality bit with the provided Anti-dust plug on a CNC machine or with a fence installed on your manual router table.

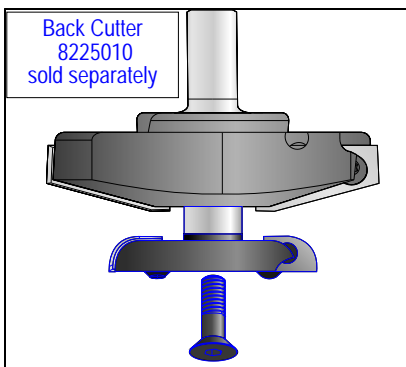


Use the assembled Ball Bearing Set (1908700) for perfect guidance when working with manual routing machine.

Included

T.C. Blade	Torx screw	Ball Bearing set	Torx key
3122001	1931482	1908700	1941015
31x17x2	M4x5.6	12.7x4.7x5xM6	T-15

Price per single knife.



Install the optional Back-Cutter assembly (8225010) to produce a tongue that fits perfectly in the Rail & Stile pieces of your choice, as well as a decorative edge for the face of the panel.

Optional

Back Cutter	T.C. Blade	Torx screw	Torx key	Allen key
8225010	3122003	1934000	1941100	1940100
54x26.7x1/2"	13.9x9.5x2	M3x4	T-9	

Price per single knife.