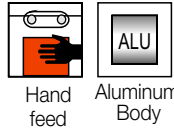
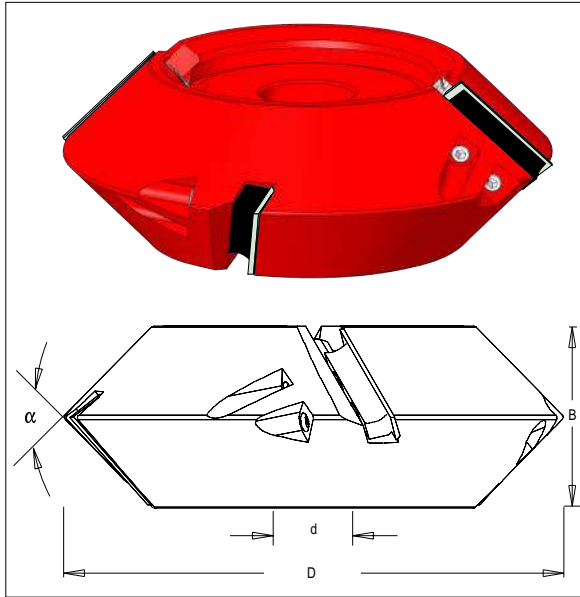


Folding, Jointing, Rebating and Chamfering cutter



Hard wearing aluminum body, complete with 2+2 down shears. Disposable straight knives, creating V shape. Suitable for rebating, chamfering, table legs jointing and V shape slots in soft wood, hardwood and laminate particle boards.

Tool no.	D	d	B	Teeth	α	RPM
K168C160	160mm	1 1/4"	56mm	2 + 2	90°	5,000-8,000

Bushings
see page 207

Replacement Parts:

T.C. Blade L40 40x12x1.5	Wedge 1990402 L=32mm	Allen Screw 1930265 M6x16	Allen Screw 1930710 M4x16	Allen Key 1940035 S3	Allen Key 1940200 S2

Number of sides	α	β	α^1
5	108°	9°	54°
6	120°	15°	60°
8	135°	22.5°	67.5°
10	144°	27°	72°
12	150°	30°	75°

