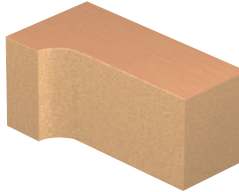
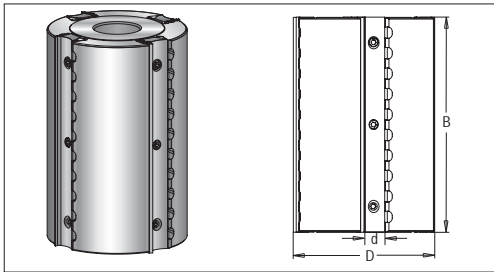
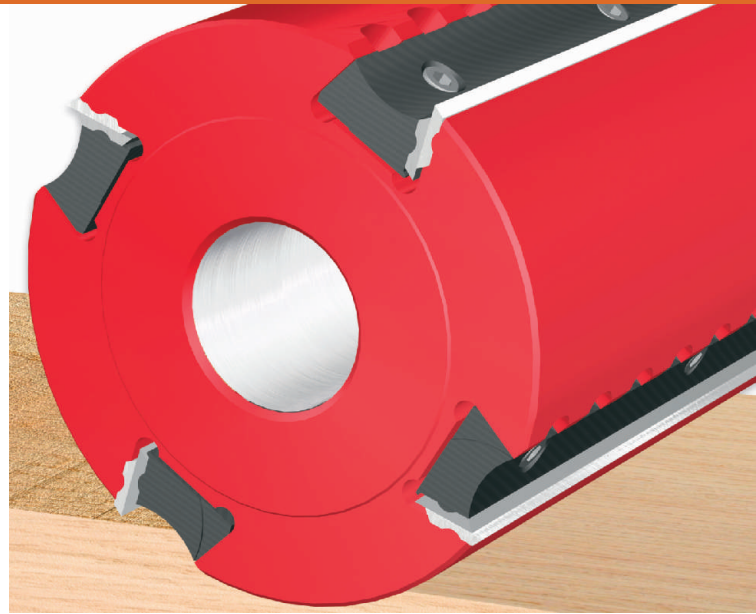


Finishing cutter planer head with HSS/TC disposable blades

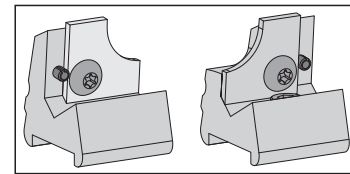
Hard wearing aluminum body complete with four disposable HSS/ TC Knives Quick changing knife option. Large gullet for the high feed operation and a special wedge with a HSS chip flow edge to maintain the life time of the locking wedge. Can also round/chamfer corners with four special TC holders assembled on the cutter instead of two knives.



Tool no.	D	B	Bore	Teeth	RPM	Category
K7336419	125mm	80mm	40mm	4	9000	CNC
K7336429	125mm	100mm	40mm	4	9000	CNC
K7336439	125mm	130mm	40mm	4	9000	CNC
K7336449	125mm	190mm	40mm	4	9000	CNC
K7336459	125mm	210mm	40mm	4	9000	CNC
K7336479	125mm	230mm	40mm	4	9000	CNC
K7336469	125mm	240mm	40mm	4	9000	CNC

Rounding / Chamfering Finishing cutter planer head

Optional holders made from alloy steel. One set of holders fits all knives
Each cutter supplied with 4 planing knives. Remove two planing knives and install holders instead. Two pairs of holders and knives required.
Final adjusting of the holder can be done with a laser etched scale on the cutter head.



T.C. Blade

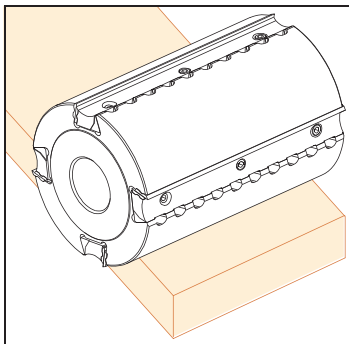
HSS Blade

Wedge

Allen screw

Allen key

B=80	3107111 80x14x2.5	3107611 80x14x2.5	1998410 L=80	1930266 M8x12	1940036 S4
B=100	3107112 100x14x2.5	3107612 100x14x2.5	1998420 L=100		
B=130	3107113 130x14x2.5	3107613 130x14x2.5	1998430 L=130		
B=190	3107114 190x14x2.5	3107614 190x14x2.5	1998440 L=190		
B=210	3107115 210x14x2.5	3107615 210x14x2.5	1998450 L=210		
B=230	3107117 230x14x2.5	3107617 230x14x2.5	1998470 L=230		
B=240	3107116 240x14x2.5	3107616 240x14x2.5	1998460 L=240		



R ø3	3107120L 20x20xR3	3107120 20x20xR3	1998510 25x25x30	1998500 25x25x30	1933950 M4x6	1941015 T15
R ø4	3107121L 20x20xR4	3107121 20x20xR4				
R ø5	3107122L 20x20xR5	3107122 20x20xR5				
R ø6	3107123L 20x20xR6	3107123 20x20xR6				
R ø8	3107124L 20x20xR8	3107124 20x20xR8				
R ø10	3107125L 20x20xR10	3107125 20x20xR10				
a 45°	3107126L 20x20x45°	3107126 20x20x45°				

