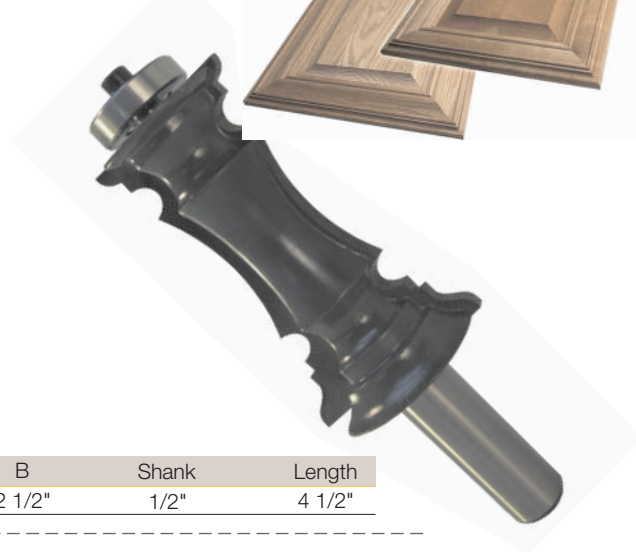
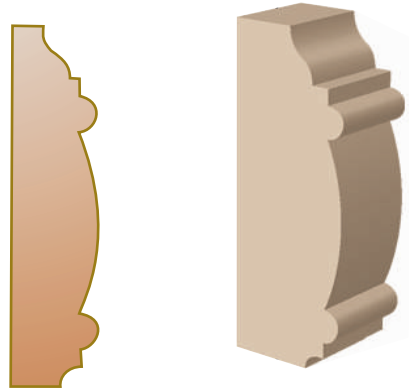
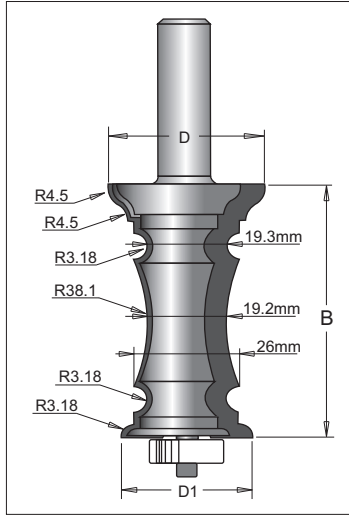




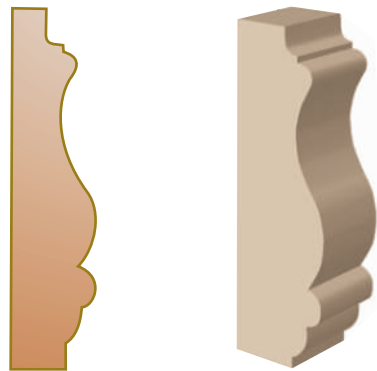
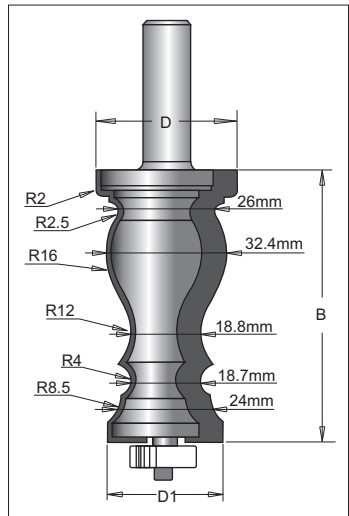
**Mitered Door Frame Bits**



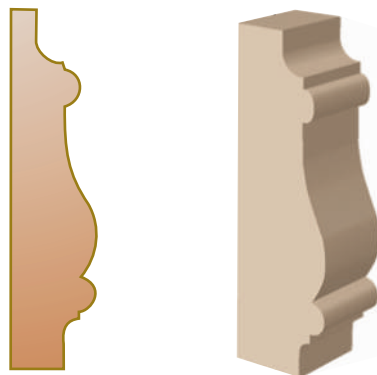
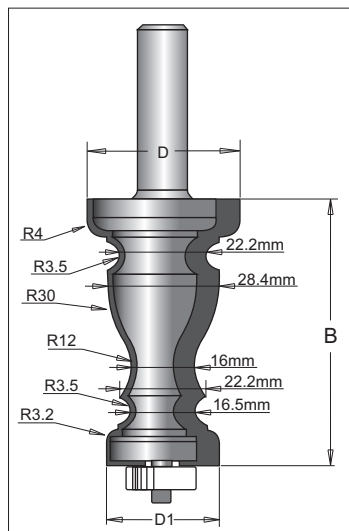
Use these bits to create those beautiful outside edges on door frames, drawer frames and window casings. Can also be used to create mirror and picture frames, crown moldings, chair rails or other decorative trim. Use a slot cutter to make the slot for raised panels or a rabbeting bit to make glass doors, picture frames or mirrors. All bits two-flute, carbide-tipped, 1/2" shank with bearing guides.



Tool no.	D	D1	B	Shank	Length
WP8781	1 1/2"	1 1/4"	2 1/2"	1/2"	4 1/2"



Tool no.	D	D1	B	Shank	Length
WP8782	1 1/2"	1 1/4"	2 3/4"	1/2"	4 5/8"



Tool no.	D	D1	B	Shank	Length
WP8785	1 1/2"	1 1/8"	2 3/4"	1/2"	4 5/8"