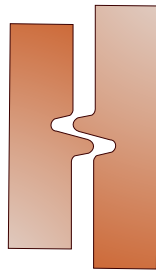
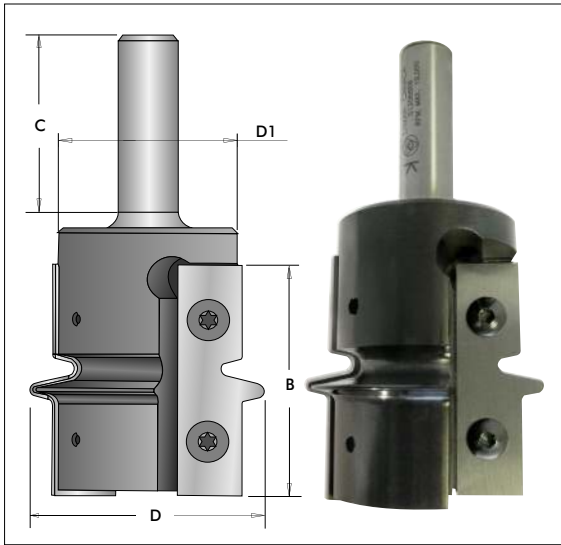




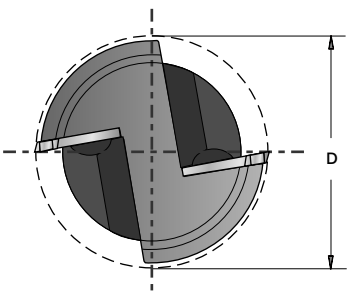
Finger Joint Bit 

A finger joint is one of the strongest joints in woodworking. As it effectively triples the surface area of the glue joint, it is nearly indestructible. Ideal for joining wood end-to-end as well as edge-to-edge. Rout one workpiece face up, the other face down. When the bit height is correct, the two pieces should slide together with their faces perfectly flush.

**Limited time offer:
CAD \$299.⁹⁵ Net Price**

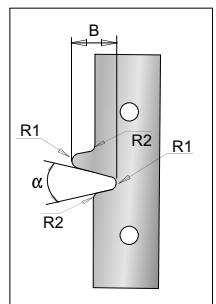


Tool no.	D	D1	B	C	Shank	Length
51206868	2"	1 5/8"	50mm	1 1/2"	1/2"	4"

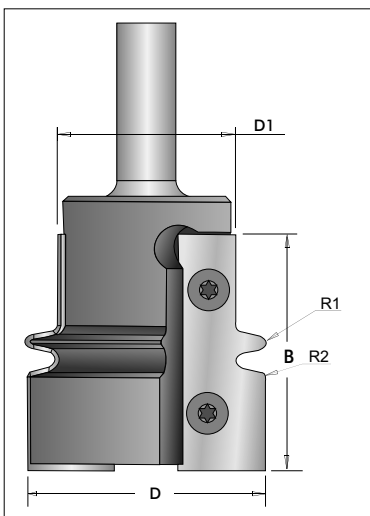


Replacement blade

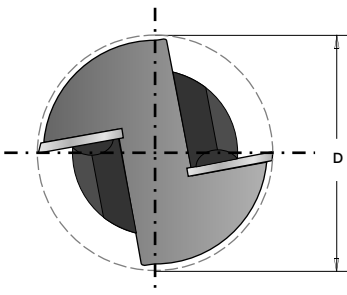
Tool no.	R1	R2	α	B	Length
3208576	1/16"	3/64"	25°	3/8"	50mm



Finger Joint Bit 



Tool no.	D	D1	B	R1	R2	Shank	Length
51207388	2"	1 5/8"	50mm	3/64"	1/16"	1/2"	4"



Replacement blade

Tool no.	R1	R2	α	B	Length
3208583	1/16"	3/64"	27°	1/4"	50mm

