



DIMAR's New Countersink Features A Non-marring Adjustable Depth Stop



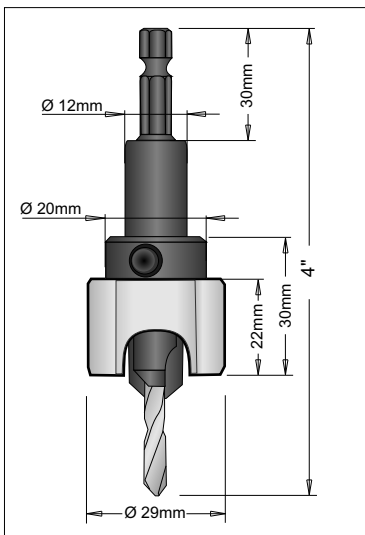
New practical tool enables users to drill a pilot hole and tapered countersink in one step in materials including hardwood, plywood, decking material, solid surface, and softwoods.

This countersink is equipped with non-marring adjustable depth stop made of solid brass. The tool enables woodworkers, furniture makers, cabinet makers and deck builders to create pilot holes and varied- depth countersinks in a variety of materials without causing burnout, scratching or marring the surface.

The unique solid-brass depth stop will rotate with the drill & countersink. It will stop as soon as it is in contact with the material surface thus defining the depth and preventing surface damage.



Made in Germany



Tool no.	Description	Length
3577.504	Complete set: 3 Drills - 4, 5, 6mm Diameter; 3 Countersinks - 1/4" Hex Shank; 1 Depth Stop 2 Keys	4"

