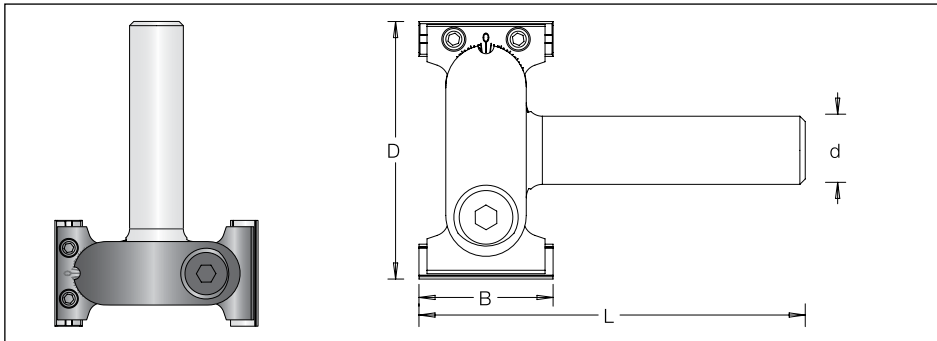




## Adjustable Bevel Router Cutter

Disposable insert router cutter complete with two cutting flutes. Suitable for producing chamfer cuts at various angles in soft wood, hard wood and man-made boards. Cutting angle can be adjusted in 15° steps by using a notched scale. For use on routers and machining centers with CNC control.



Tool No.	Dia.	Shank	B	Teeth	Length	RPM
8540028	46mm	12.7mm	25mm	2	72mm	12,000

### Replacement Parts:

			
T.C. Blade 3107525 25x6.5x1.1	Allen screw 1930391 M4x3	Allen Key 1940150 S3	Allen Key 1940200 S4

